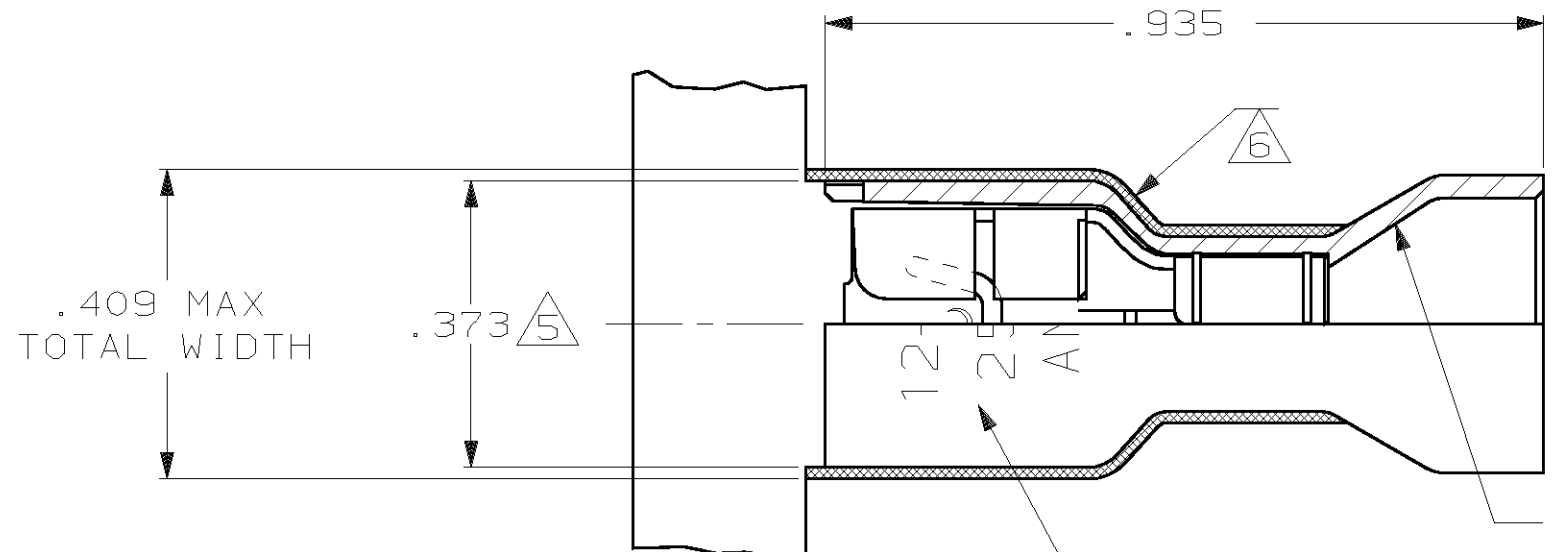
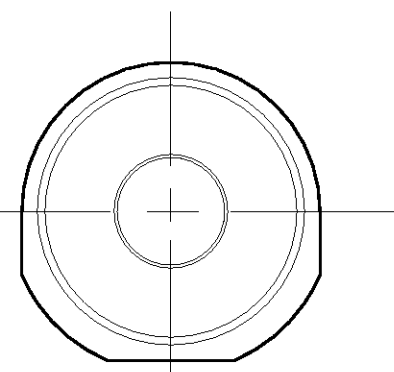
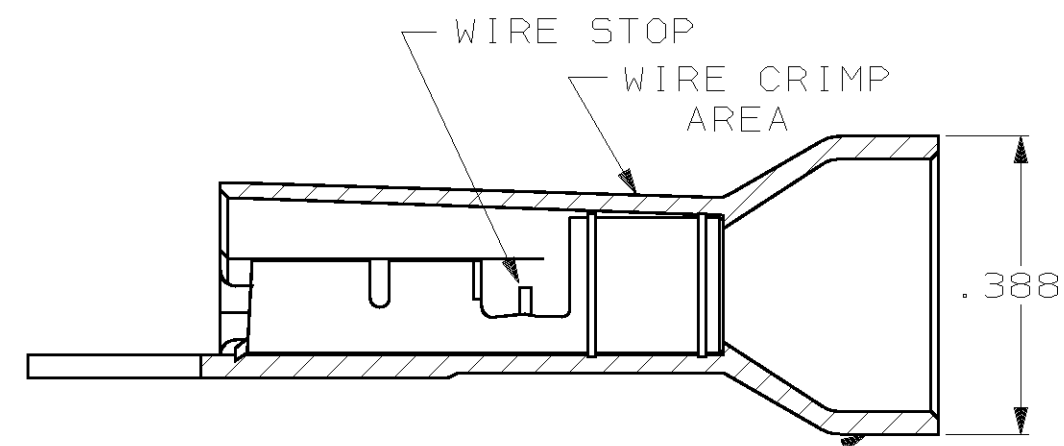
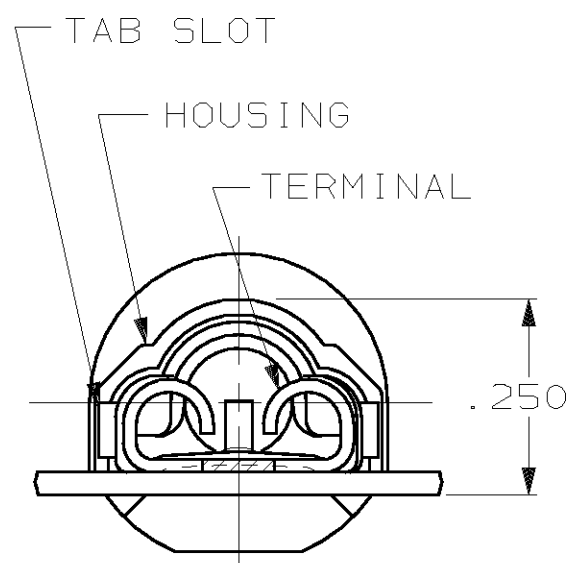


THIS DRAWING IS UNPUBLISHED. RELEASED FOR PUBLICATION, 19
 © COPYRIGHT 19 BY AMP INCORPORATED. ALL INTERNATIONAL RIGHTS RESERVED.


LOC AF	DIST 50	P	F	ZONE	LTR	REVISIONS	DATE	APPD
					J	REV PER 0G1A-0147-99	3JUN99	JR JH



- 1 MATES WITH .032±.001×.250 TAB
- 2 WIRE STRIP LENGTH .312
- 3 INSULATION SIZE .320 MAX DIA
- 4 CONTINUOUS STRIP ON REELS
- △5 DIMENSION DOES NOT INCLUDE TRIM BURR
- △6 .015 MAX CARRIER TRIM BURR PER SIDE IS ALLOWABLE IN THE SHADED AREA



INSULATION GUIDE

HOUSING: NYLON, COLOR-BLACK		9-520447-2	
RECEPTACLE: #3 HARD BRASS, TIN .000080 MIN		4-520447-2	
HOUSING: NYLON, COLOR-YELLOW TRANSLUCENT			
RECEPTACLE: #3 HARD BRASS, TIN .000080 MIN			
MATERIAL & FINISH		PART NO	
DO NOT SCALE PRINT. UNLESS SPECIFIED DIMENSIONS IN INCHES TOLERANCES ON: 2 PLC DEC ± - 3 PLC DEC ± .015 ANGLES ± -	DR 11/4/88 P FORTNEY CHK 11/7/88 MS FEHER APPD 11/7/88 K RANDOLPH APPD 11/10/88 TL SHUTTER	 AMP INCORPORATED Harrisburg, Pa. 17105	
MATERIAL SEE TABLE	PRODUCT SPEC 108-2043		
FINISH SEE TABLE	APPLICATION SPEC 114-2123	SIZE B	FSCM NO 00779
	WEIGHT -	DRAWING NO 520447	SHEET 1 OF 1
		SCALE 4:1	